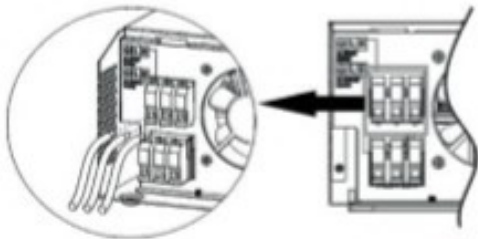


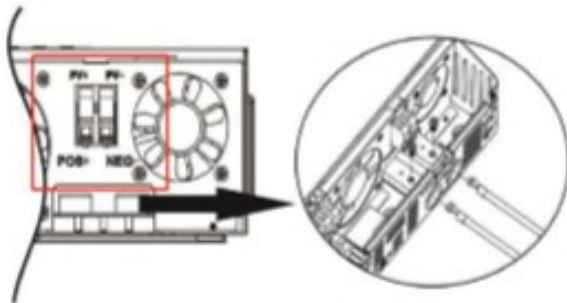
Preparation

Note:

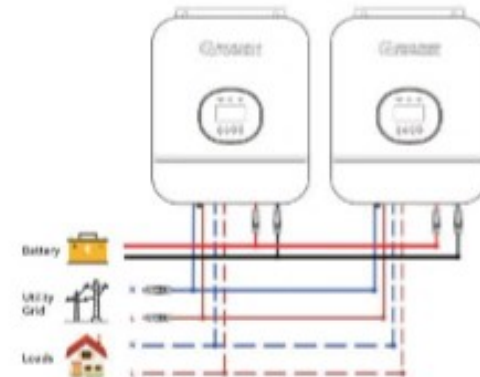
1. All wiring must be well-fastened to avoid shedding.



2. Make sure that the polarity of PV and batteries connected to the product is correct.



3. Should install utility, battery and PV input switch to ensure safety.

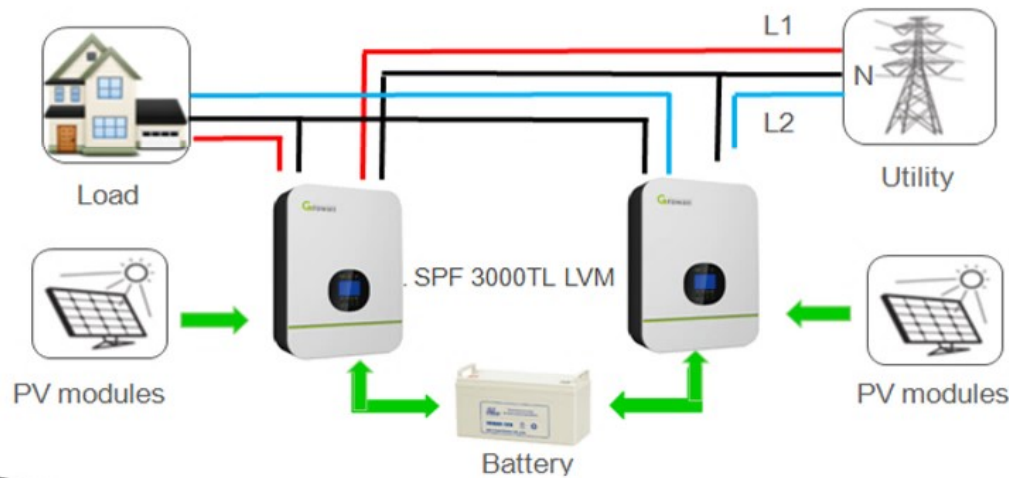


4. Battery and solar panel connections must be within the parameters of the product.

Key Features



**SPF 3000TL LVM
(Offered Split-phase)**



Support

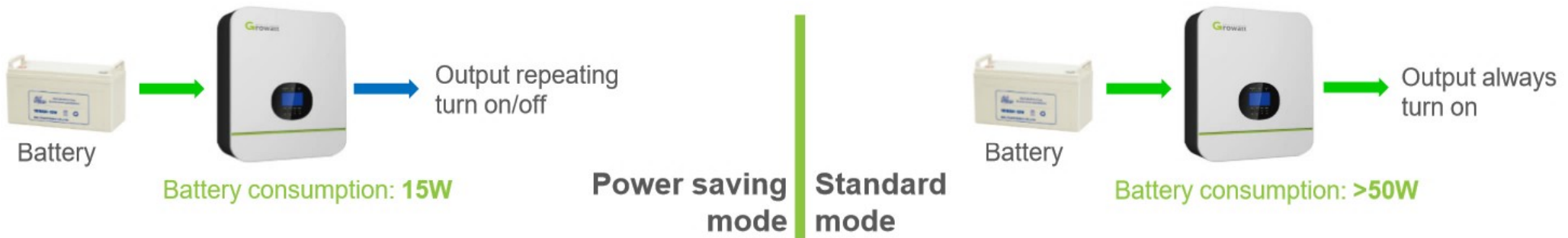
1. Power factor 1.0
2. MPPT solar charge controller
3. WIFI/GPRS remote monitoring
4. Compatible with generator power
5. Configurable AC/solar input and charging priority
6. Parallel operation available
7. Compatible with lithium battery
- 8. Low voltage 120Vac output**



Operation Benefits

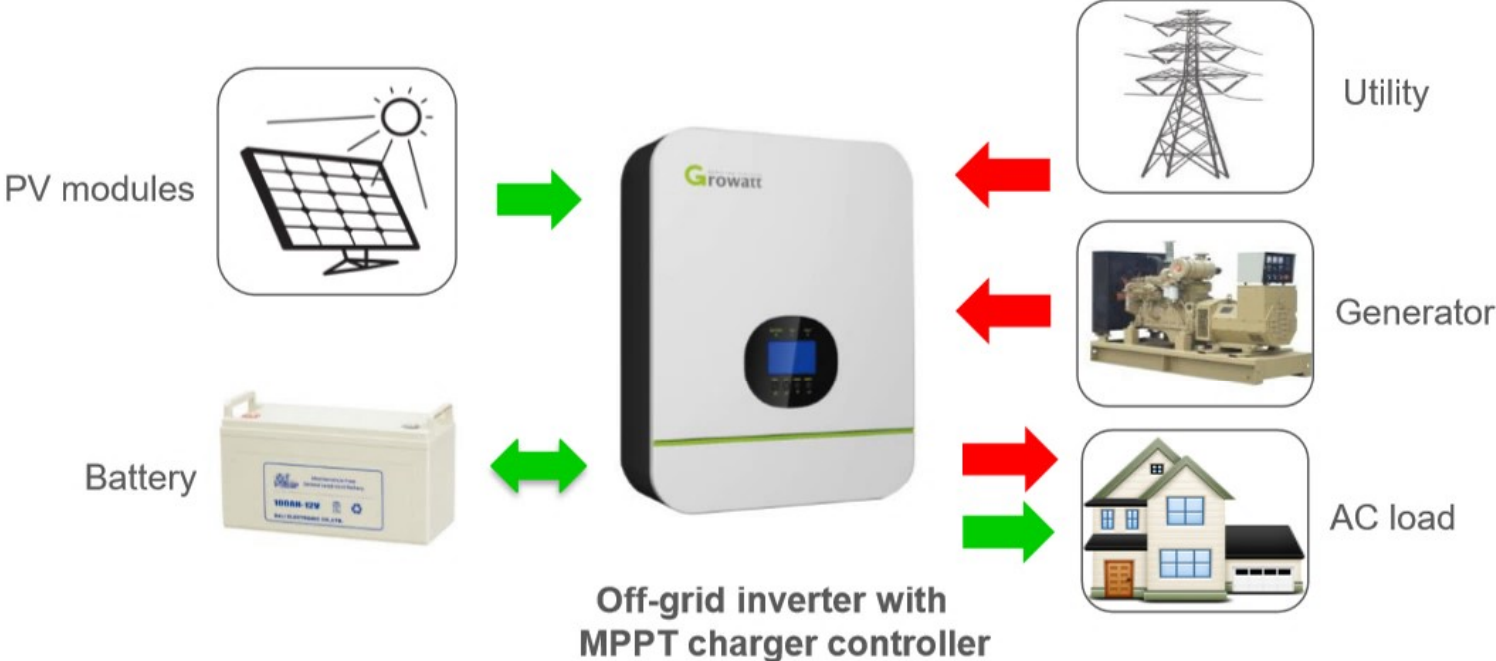
Power Saving Mode

When the load is pretty low or not, inverter will turn off the output (Low consumption from battery)



Off-Grid System Overview

Off-grid energy storage system is generally consist of PV modules, off-grid inverter, MPPT charger controller (bidirectional DC/DC converter), battery, generator, monitoring devices and electrical appliances.



Operation Functions

Output priority mode setting:

1. SOL first
2. UTI first
3. SBU first

Charging priority mode setting:

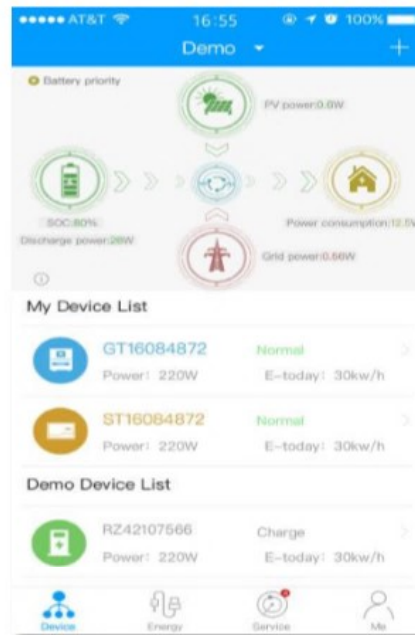
1. CSO first
2. CUT first
3. SNU first
4. OSO

Off-Grid inverter with MPPT charge controller



Monitoring Platform

Remote monitoring



Shine Phone APP



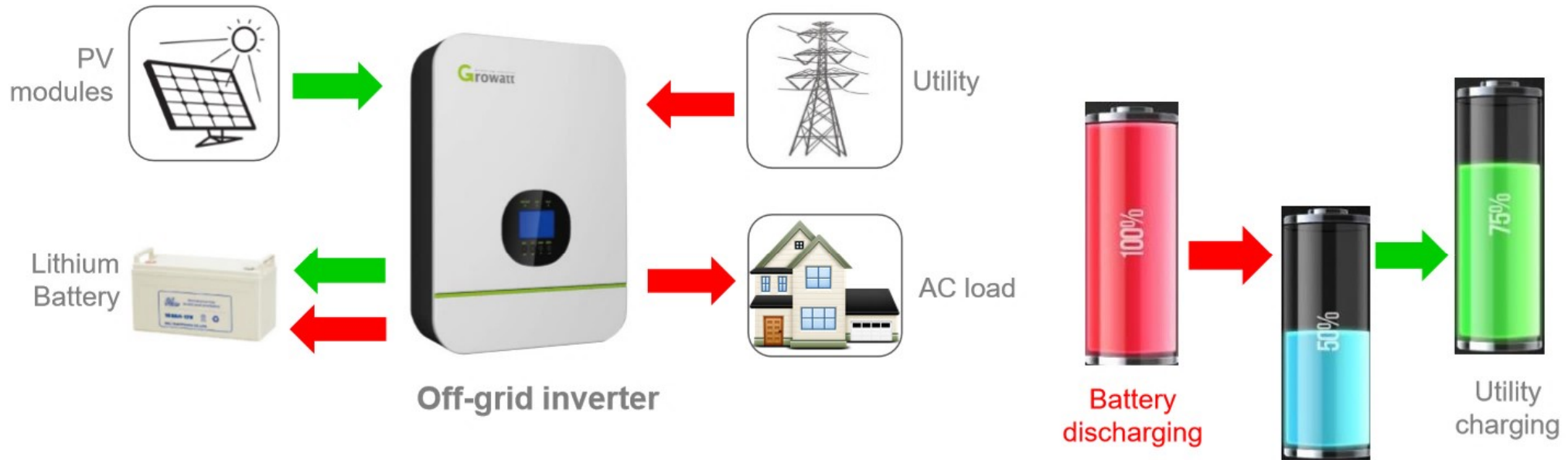
Shine Server



Operation Functions

Mode selection setting: Utility or Battery mode:

1. Back to Utility Mode (Voltage Range: 44-51.2 VDC)

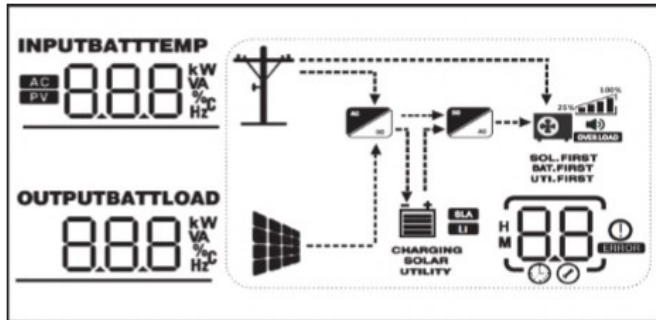


Operation Functions

Mode selection setting: Utility or Battery mode:

Monitoring Platform

Local monitoring



1. **Input information** (PV voltage, AC voltage, frequency, PV generator, battery voltage, charging current)

2. **Output information** (Voltage, load percentage, frequency, load in VA, load in watt, discharging current)



USB cable



PC install monitoring software



PVkeeper platform

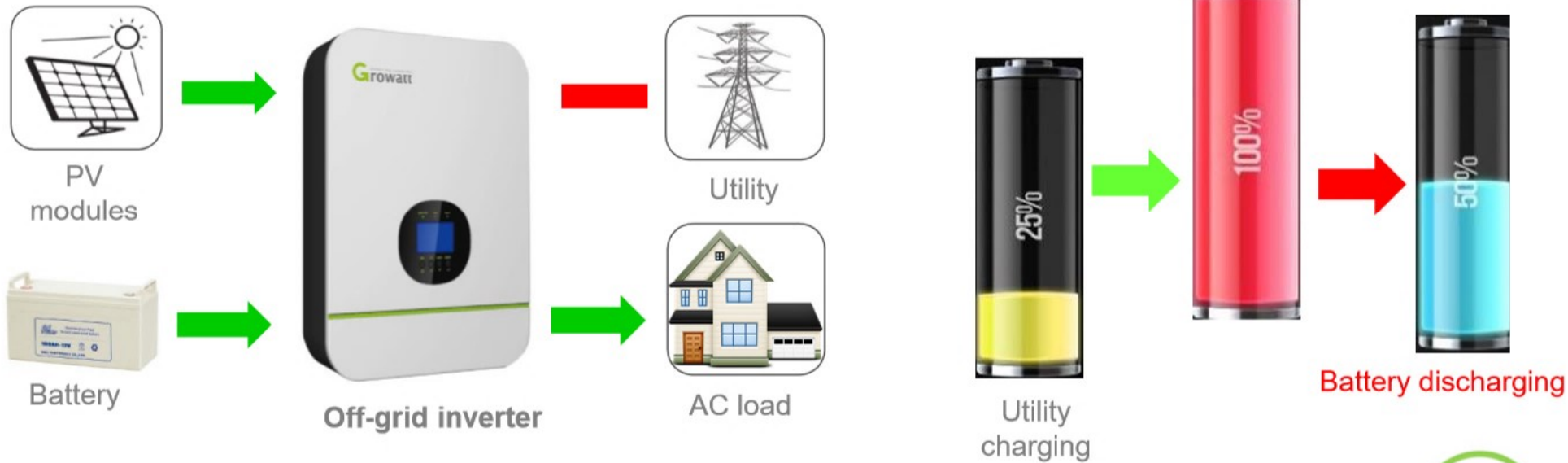


Operation Functions

Mode selection setting: Utility or Battery mode:

2. Back to Battery Mode

(Voltage Range: 48-58VDC / 24-29VDC)



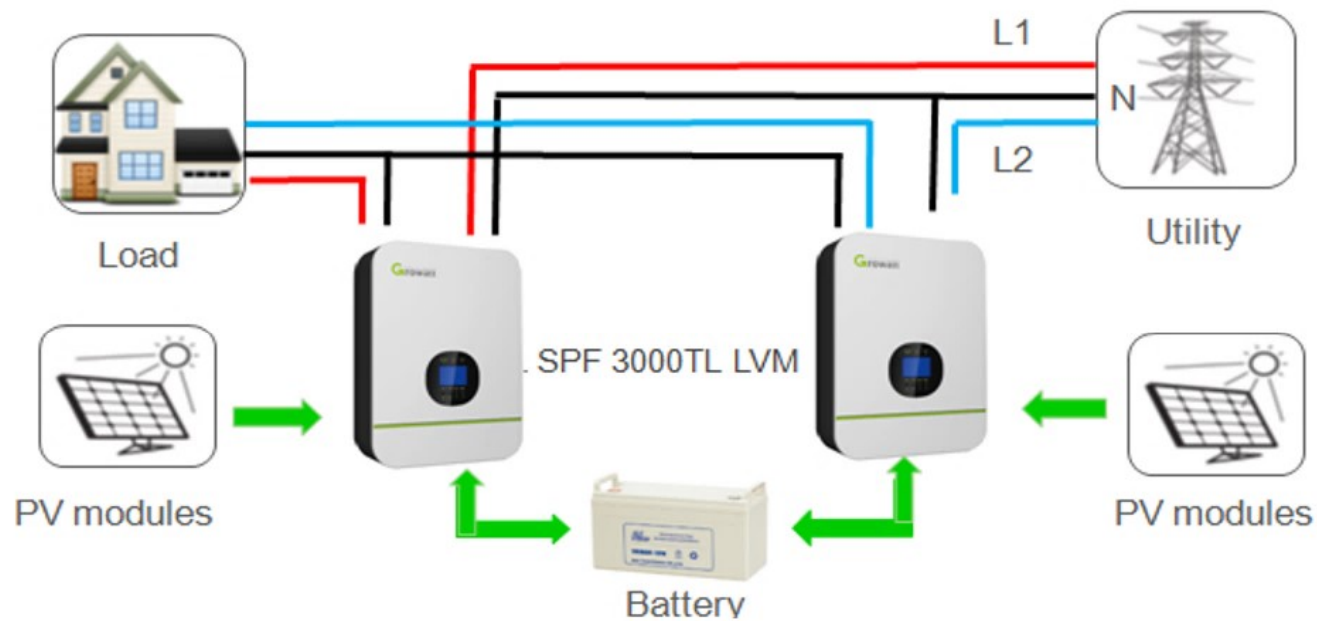
Operation Functions

Lithium battery :

Operation Functions

Split phase L1-N and L2-N:

For 120Vac system, SPF 3000TL LVM series inverter can configuration output L1-L2 of 240V system



Operation Functions

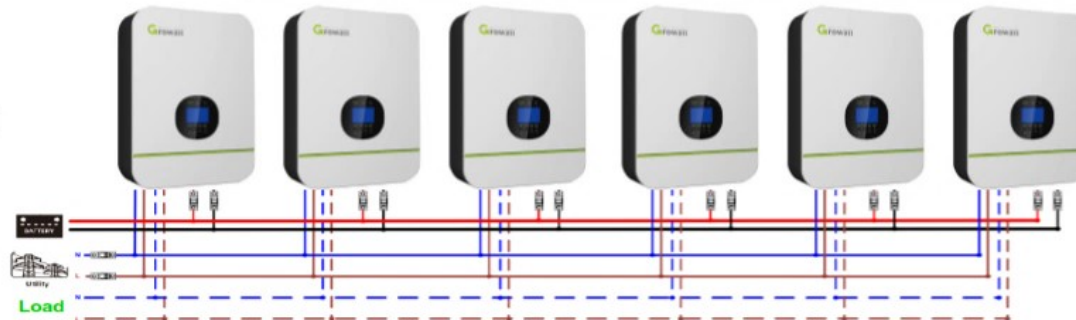
Parallel mode:

Parallel operation with up to 6 units only for 4/5KVA and 3KVA LVM series transformerless inverter, maximum capacity up to 30kW, and it can also be set to 3-phase system

Three-phase system



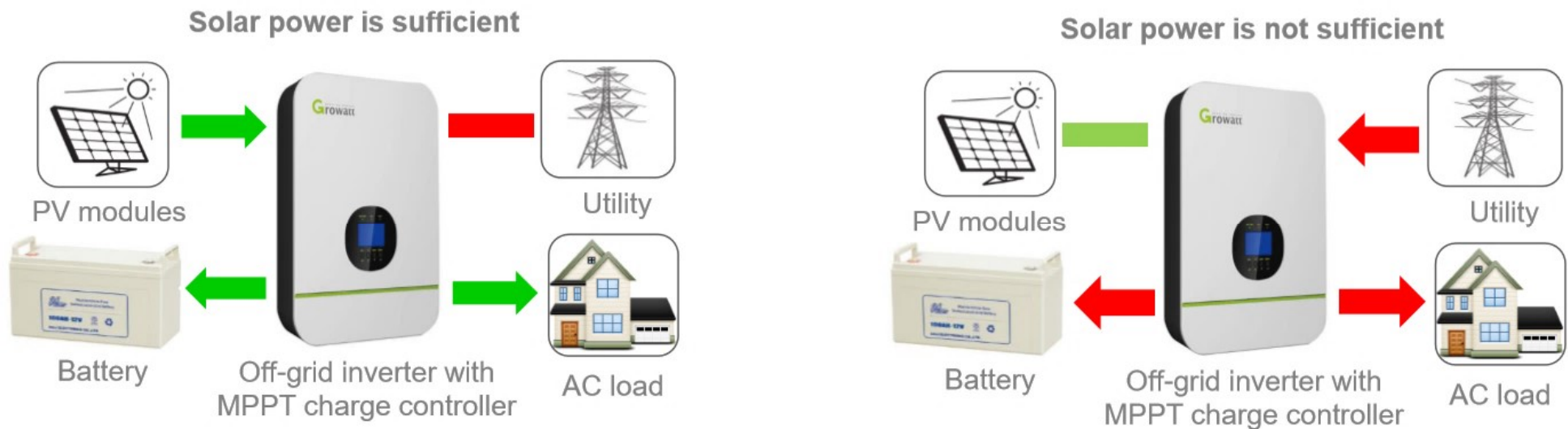
Single-phase system



Applications

1. Enhance battery life (Output : SOL first)

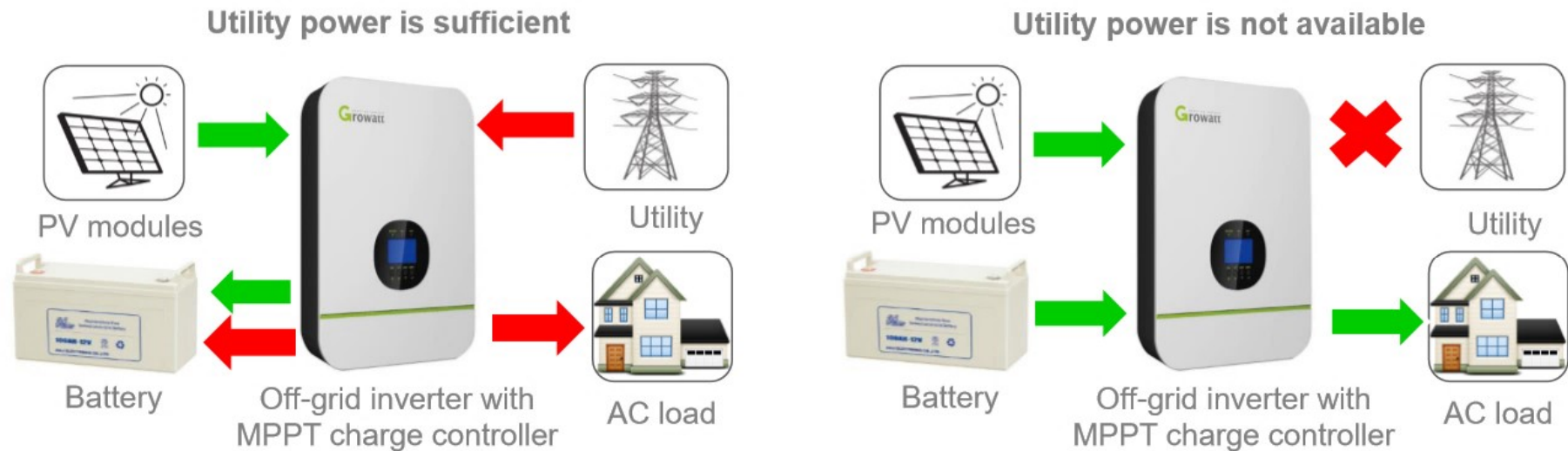
Solar power is sufficient (Feed to load and also charge the battery). When solar power is not available, Utility supply power to the load and charge the battery



Applications

3. Unavailability of sunshine/Raining season (Output : UTI first) → 3K LVM (Default mode)

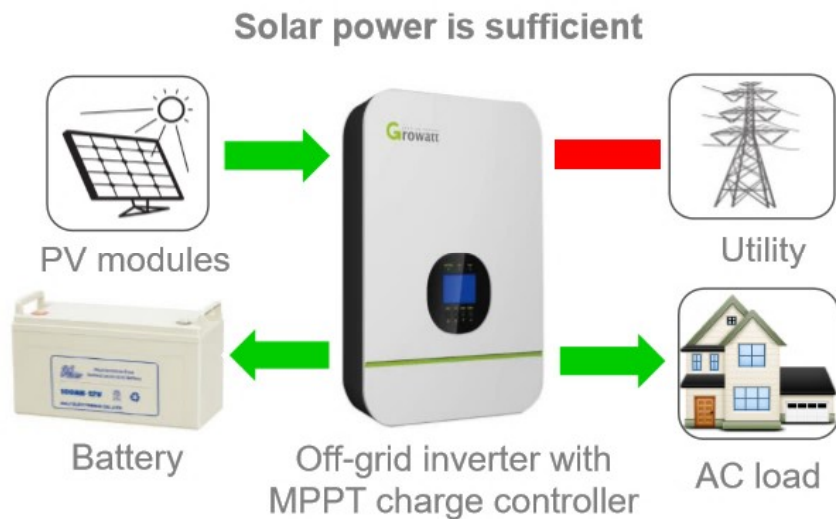
Utility supply power to load as a priority but solar and battery only provides power to load, if the utility power is not available



Applications

2. Support cost-effective (Output : SBU first)


When Solar power is sufficient (it feeds to load and charge the battery). For cost-effective support, Utility feeds power only if the battery feeding is under low-level warning



Utility Power & Load Selection

Voltage	Transformer Type	Single Phase	Split Phase	Three Phase	Home appliance capacity < 5kw	Home appliance capacity > 5kw
120V / 240VAC Split / 3 ph	Transformerless 	SPF 3000TL LVM	SPF 3000TL LVM (2 PCS or more units for parallel)	SPF 3000TL LVM (3 PCS or more units for parallel)	SPF 3000TL LVM	SPF 3000TL LVM (2 PCS or more units for parallel)

Battery Selection

Voltage	Transformer Type	Lithium Battery	BTS Sensor	Split Phase	Without battery operation
120V / 240VAC Split / 3 ph	Transformerless 	SPF 3000TL LVM	NO	SPF 3000TL LVM	NO

Applications



5kw single phase system



30kw three phase system



Applications



15kw three-phase system



15kw three-phase system



10kw single-phase system



Datasheet

SPF 3000TL LVM-24P

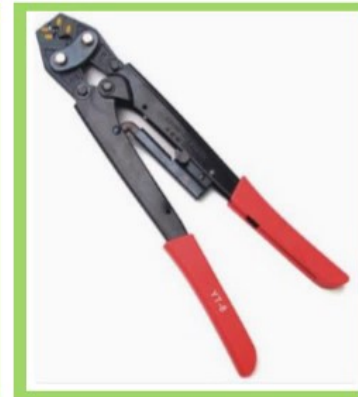
SPF 3000TL LVM-48P

Battery voltage	24VDC (19.5V - 30VDC)	48VDC (39V - 60VDC)
Battery type	Lithium/Lead-acid	Lithium/Lead-acid
INVERTER OUTPUT	Split Phase capable with 2 or more	Split Phase capable with 2 or more
RATED POWER	3000VA/ 3000W	3000VA/ 3000W
Parallel Capability	Yes, 6 units maximum	Yes, 6 units maximum
AC Voltage Regulation (Battery Mode)	120VAC \pm 5% @ 50/60Hz	120VAC \pm 5% @ 50/60Hz
Surge Power (up to 18kW)	6000VA	6000VA
Efficiency (Peak)	93%	93%
Waveform	Pure sine wave	Pure sine wave
Transfer Time	10 ms (For Personal Computers); 20 ms (For Home Appliances)	10 ms (For Personal Computers); 20 ms (For Home Appliances)
SOLAR CHARGER		
Maximum PV Array Power	2000W	4500W
MPPT Range @ Operating Voltage	30VDC ~ 115VDC	60VDC ~ 115VDC
Maximum PV Array Open Circuit Voltage	145VDC	145VDC
Maximum Solar Charge Current	80A	80A
Maximum Efficiency	97%	97%
Standby Power Consumption	2 W	2 W
AC CHARGER		
Charge Current	60A	40A
AC Input Voltage	120 VAC	120 VAC
Selectable Voltage Range	95-140 VAC (For Personal Computers) ; 65-140 VAC (For Home Appliances)	95-140 VAC (For Personal Computers) ; 65-140 VAC (For Home Appliances)
Frequency Range	50Hz/60Hz (Auto sensing)	50Hz/60Hz (Auto sensing)
PHYSICAL		
Dimension (D/W/H) in mm	130/350/455	130/350/455
Net Weight (kgs)	11	11
OPERATING ENVIRONMENT		
Humidity	5% to 95% Relative Humidity(Non-condensing)	5% to 95% Relative Humidity(Non-condensing)
Operating Temperature	0°C - 55°C	0°C - 55°C
Storage Temperature	-15°C - 60°C	-15°C - 60°C

Preparation

1. Tools

Multi-meter
Screw-driver
Ampere-meter
Other installation tools



2. Calculate items (It will influence inverter's capacity)

Load type: Home appliance, motor type load (3-6 times rate power).

Load working time: Peak power working time.

Back-up time: Battery discharge time.

Sunlight situation: Peak radiation time per day.

Utility power situation: Grid power is available or not?

